

EN YAMAHA FX 2017+

Overview

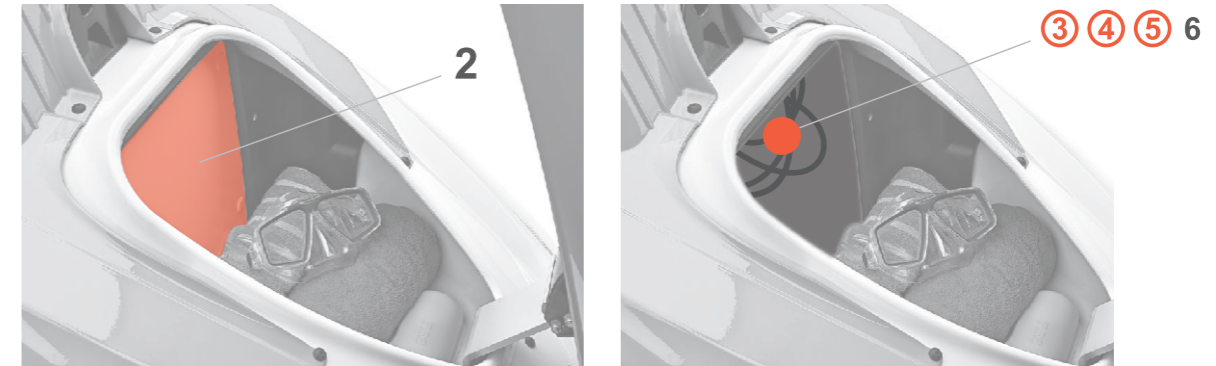
To install Ototrak module you will need drill with a drill bit 3.2mm, phillips screwdriver, 10mm wrench and some silicone grease (**not silicone spray**) for watertight seal on connectors. Package contains Ototrak module, mounting bracket, screws and Yamaha EX cables.



OTOTRAK MODULE WITH MOUNTING BRACKET
PART NO. OTY02

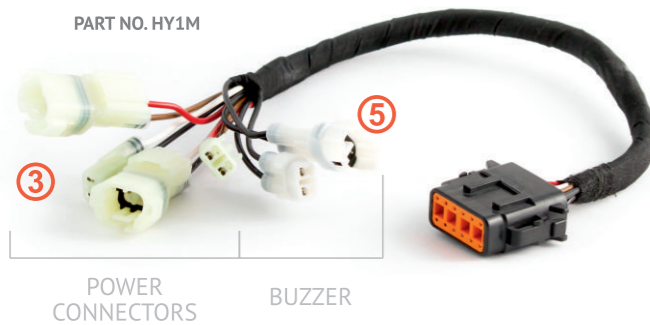
Connecting Ototrak

Once you have removed compartment's **side cover (2)** and installed Ototrak, disconnect Yamaha's **power (3), throttle (4) and buzzer (5)** cable connections and then connect Ototrak cables as shown below.



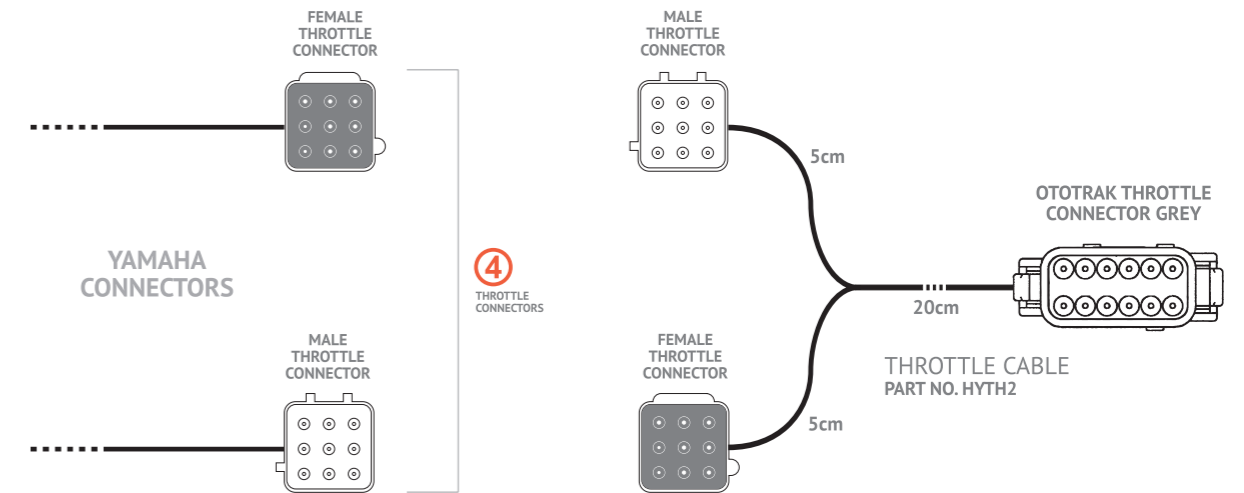
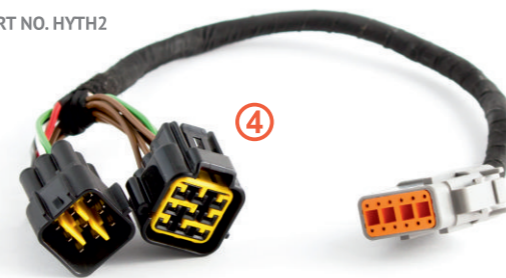
YAMAHA FX POWER CABLE

PART NO. HY1M



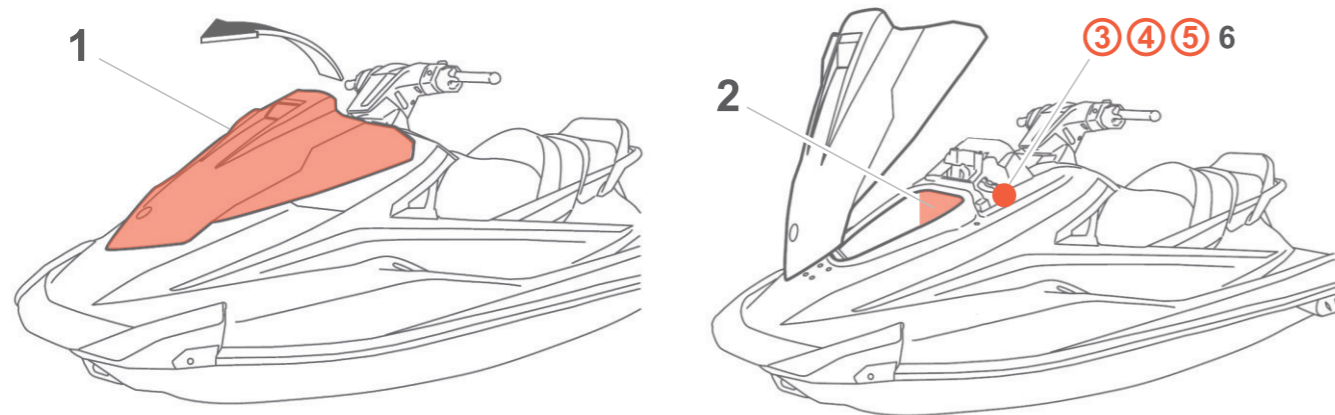
YAMAHA FX THROTTLE CABLE

PART NO. HYTH2



Ototrak installment position

Lift up the **hood (1)** by releasing hood latch. Underneath is a bow storage compartment. Remove storage compartment's **side plastic cover (2)** and under the steering (handlebar) you will find all the necessary connectors for **power (3), throttle (4) and buzzer (5)**. **Ototrak module (6)** is installed inside, just under the steering, same as the connectors.



NOTE: For GPS to work correctly, module must be installed with antenna side (indicated by the IMEI sticker) facing upwards (towards the sky).

