

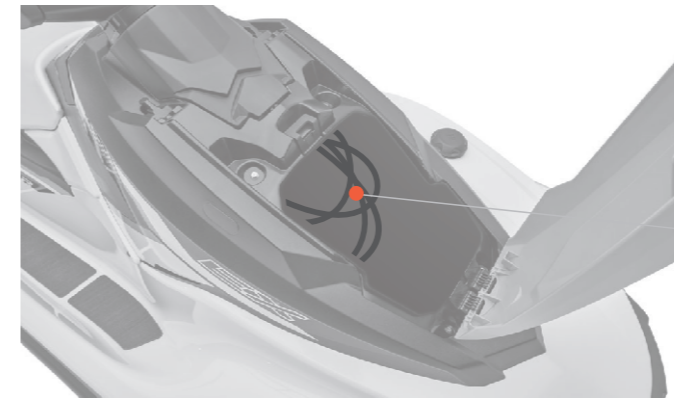
EN YAMAHA EX

Overview

To install Ototrak module you will need drill with a drill bit 3.2mm, phillips screwdriver, 10mm wrench and some silicone grease (**not silicone spray**) for watertight seal on connectors. Package contains Ototrak module, mounting bracket, screws and Yamaha EX cables.

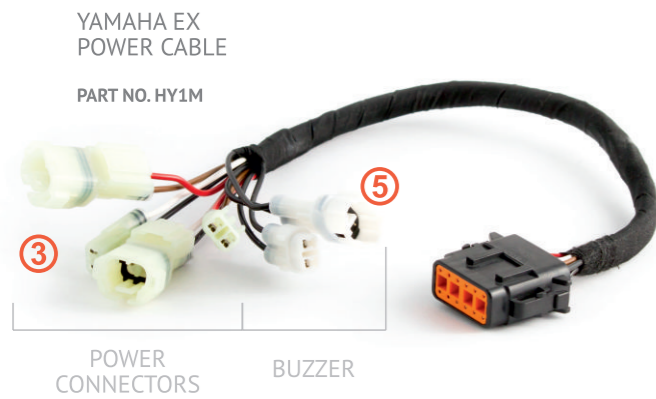


OTOTRAK MODULE WITH MOUNTING BRACKET
PART NO. OTY02



Connecting Ototrak
Disconnect Yamaha's throttle, power and buzzer connections and then connect Ototrak cables as shown below.

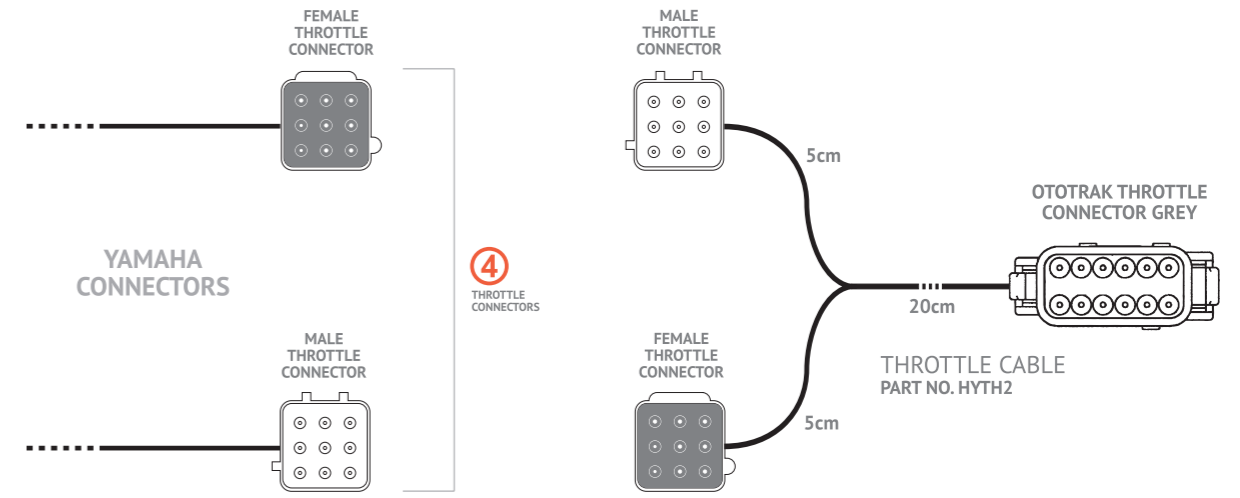
Connectors and cables are located below bow storage compartment



YAMAHA EX POWER CABLE
PART NO. HY1M

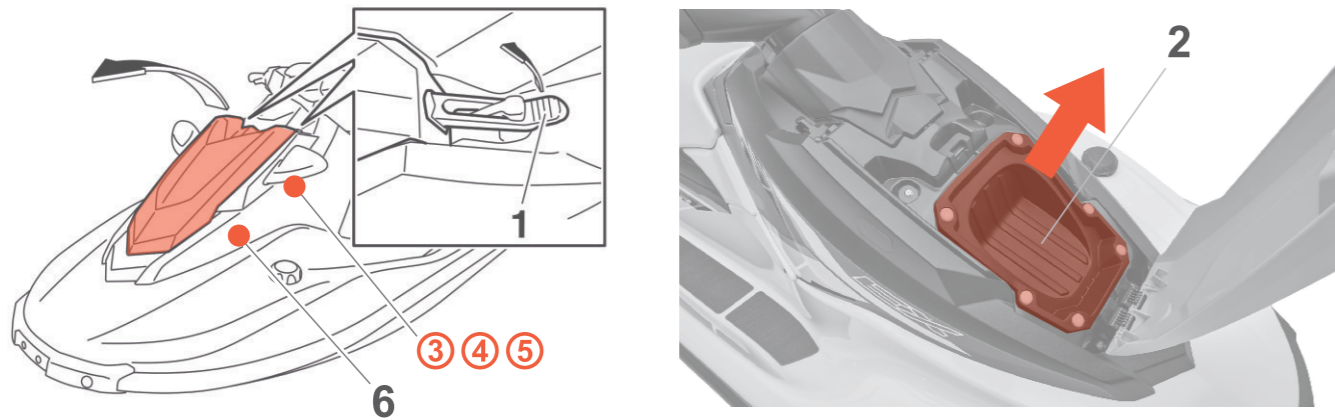


YAMAHA EX THROTTLE CABLE
PART NO. HYTH2



Ototrak installment position

Lift up the hood by releasing **hood latch (1)**. Underneath is a small storage compartment. Remove compartment's **bottom cover (2)** and underneath you will find all the **connectors for power (3), throttle (4) and buzzer (5)**. Module (6) is installed on the internal (back) side of the **plastic cover (2)**.



NOTE: For GPS to work correctly, module must be installed with antenna side (indicated by the IMEI sticker) facing upwards (towards the sky).

